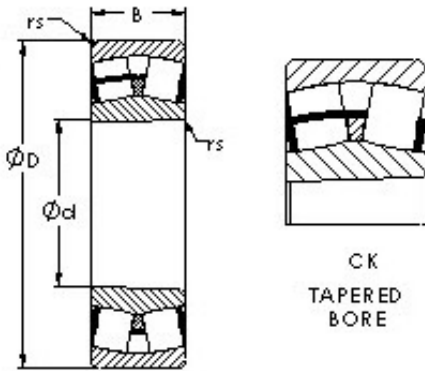




AURORA Bearing Supply Co., Ltd.



AST 23032CK spherical roller bearings

Bearing No. 23032CK

Size	160x240x60 mm
Bore Diameter	160 mm
Outer Diameter	240 mm
Width	60 mm
Bearing Type	tapered bore
Bore Dia (d)	160.0000
Outer Dia (D)	240.0000
Width (B)	60.0000
Radius (min) (rs)	2.100
Dynamic Load Rating (Cr)	610,000
Static Load Rating (Cor)	1,060,000
Max Speed (Grease) (X000 RPM)	1
Max Speed (Oil) (X1000 RPM)	2
Weight (g)	9,710.00
Material	52100 Chrome steel, or equivalent

23032CK Bearing 2D drawings and 3D CAD models