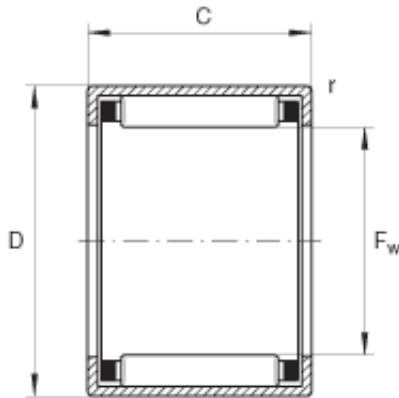




AURORA Bearing Supply Co., Ltd.



HK3020 Bearing 2D drawings and 3D CAD models

INA HK3020 needle roller bearings

Bearing No. HK3020

Size	30x37x20 mm
Bore Diameter	30 mm
Outer Diameter	37 mm
Width	20 mm
F_w	30 mm
D	37 mm
C - 20 mm / Tolerance: -0,3	20 mm / Tolerance: 0,3
r_{min}	0,8 mm
m	39 g / Weight
C_r	22000 N / Dynamic load rating (radial)
C_{or}	39500 N / Static load rating (radial)
C_{ur}	5100 N / Fatigue limit load, radial
n_G	8600 1/min / Limiting speed
n_B	6000 1/min / Reference speed
	LR25X30X20,5 / Suitable inner ring
	IR25X30X20,5 / Suitable inner ring
Category	Needle Non Thrust Roller Bearings
Inventory	0.0
Manufacturer Name	SCHAEFFLER GROUP
Minimum Buy Quantity	N/A
Weight / Kilogram	0.04



AURORA Bearing Supply Co., Ltd.

EAN	4026677167347
Product Group	B04144
Rolling Element	Needle Roller Bearing
Component	Roller Assembly with Outer Ring - No Inner Ring
Enclosure	Open
Self Aligning	No
Retainer	Yes
Number of Rows of Rollers	Single Row
Separable	No
Closed End	No
Inch - Metric	Metric
Relubricatable	No
Thrust Bearing	No
Long Description	30MM Bore; 37MM Outside Diameter; 20MM Width; Needle Roller Bearing; Roller Assembly with Outer Ring - No Inner Ring; Open; Not Self Aligning; Retainer; Single Row of Rollers; Not Separable; Not Close
Other Features	2 Rib Outer Ring Drawn Cup Bearing Steel Cage
Category	Needle Non Thrust Roller Bearing
UNSPSC	31171512
Harmonized Tariff Code	8482.99.65.30
Noun	Roller Assembly with Outer Ring
Keyword String	Bearing Needle
Manufacturer URL	http://www.ina.com
Manufacturer Item Number	HK3020
Weight / LBS	0.086
Width	0.787 Inch 20 Millimeter



AURORA Bearing Supply Co., Ltd.

Outside Diameter	1.457 Inch 37 Millimeter
Bore	1.181 Inch 30 Millimeter