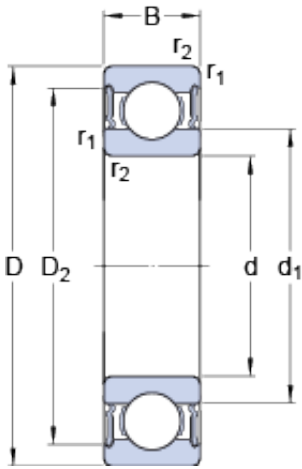




AURORA Bearing Supply Co., Ltd.



40 mm x 68 mm x 15 mm SKF W
6008-2RS1/VP311 deep groove ball bearings

Bearing No. W 6008-2RS1/VP311

W 6008-2RS1/VP311 Bearing 2D drawings and 3D CAD models

Size	68x40x15 mm
Bore Diameter	68 mm
Outer Diameter	40 mm
Width	15 mm
d	40 mm
D	68 mm
B	15 mm
d ₁	49.2 mm
D ₂	62.5 mm
r _{1,2} - min.	1 mm
d _a - min.	45 mm
d _a - max.	49 mm
D _a - max.	63.5 mm
r _a - max.	1 mm
Basic dynamic load rating - C	14.6 kN
Basic static load rating - C ₀	11.4 kN
Fatigue load limit - P _u	0.49 kN
Limiting speed	6300 r/min
Calculation factor - k _r	0.03
Calculation factor - f ₀	15.2
d ₁	49.2 mm
D ₂	62.5 mm
r _{1,2} min.	1 mm
d _a min.	45 mm



AURORA Bearing Supply Co., Ltd.

d_a max.	49 mm
D_a max.	63.5 mm
r_a max.	1 mm
Basic dynamic load rating C	14.6 kN
Basic static load rating C_0	11.4 kN
Fatigue load limit P_u	0.49 kN
Calculation factor k_r	0.03
Calculation factor f_0	15.2
Mass bearing	0.18 kg