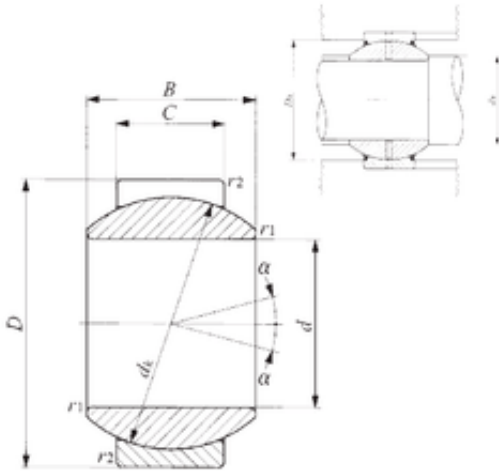




AURORA Bearing Supply Co., Ltd.

6 mm x 16 mm x 9 mm IKO GE 6G plain bearings

Bearing No. GE 6G



GE 6G Bearing 2D drawings and 3D CAD models

Size	6x16x9 mm
Bore Diameter	6 mm
Outer Diameter	16 mm
Width	9 mm
d	6 mm
D	16 mm
B	9 mm
C	5 mm
dk	13 mm
r1 min.	0,3 mm
r2 min.	0,3 mm
da min.	8,5 mm
da max	9 mm
Da min	13,5 mm
Da max.	13 mm
Angle	21 °
Weight	0,01 Kg
Basic dynamic load rating (C)	6,37 kN